

Typical Applications

For use in low voltage high frequency inverters, freewheeling, DC/DC converters, and polarity protection applications.

Mechanical Data

Package: SOD-123HE

Molding compound meets UL 94 V-0 flammability rating, RoHS-compliant, halogen-free

Terminals: Tin plated leads, solderable per J-STD-002 and JESD22-B102

Polarity: Cathode line denotes the cathode end

Maximum Ratings (T_a=25 Unless otherwise specified)

		UNIT	SL34E	SL36E	SL310E
Device marking code			SL34E	SL36E	SL310E
Repetitive peak reverse voltage	VRRM	V	40	60	100
Average rectified output current @60Hz Half-sine wave, Resistance load, TL (FIG.1)	I _O	A	3.0		
Surge(non-repetitive)forward current @ 60Hz half-sine wave,1 cycle, T _j =25	IFSM	A	60		
Storage temperature	T _{stg}		-55 ~+150		
Junction temperature	T _j		-55 ~+150		

Electrical Characteristics T_a=25 Unless otherwise specified

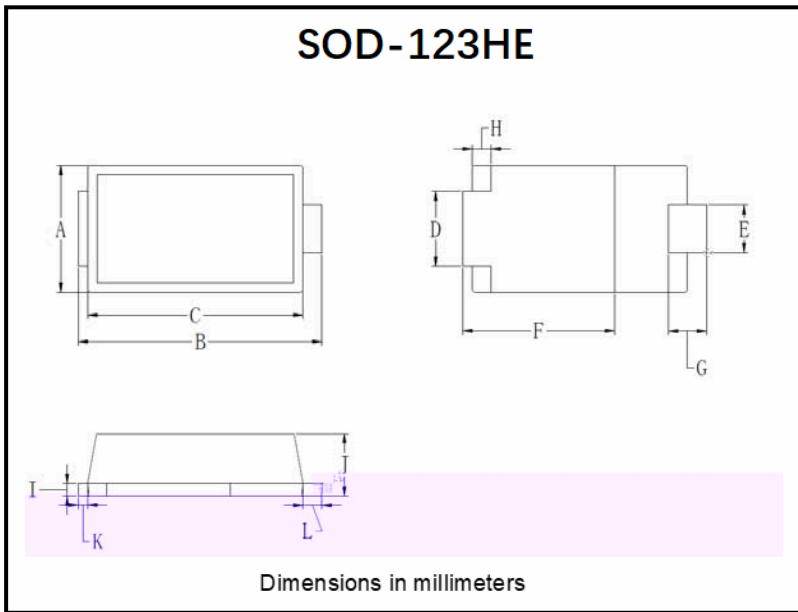
PARAMETER	SYMBOL	UNIT	TEST CONDITIONS	SL34E	SL36E	SL310E
Maximum instantaneous forward voltage drop per diode	V _F	V	IFM=3.0A	0.45	0.5	0.6
Maximum DC reverse current at rated DC blocking voltage per diode @ VRM=VRRM	I _{RRM}	mA	T _a =25	0.5	10	5

SL34E THRU SL310E



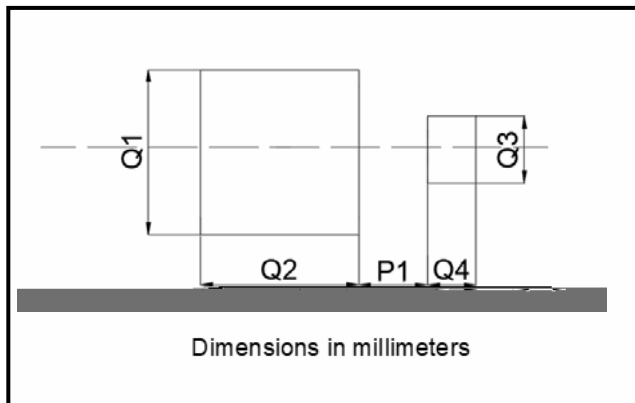
SL34E THRU SL310E

Outline Dimensions



SOD-123HE		
Dim	Min	Max
A	1.88	2.18
B	3.70	4.00
C	3.19	3.61
D	1.05	1.35
E	0.61	0.91
F	2.20	2.90
G	0.40	0.80
H	0.30 TYP	
I	0.10	0.30
J	0.85	1.15
K	0.00	0.30
L	0.15	0.45

Suggested pad layout



SOD-123HE	
Dim	Millimeters
P1	0.64
Q1	2.54
Q2	2.67
Q3	1.27
Q4	0.76

SL34E THRU SL310E

Disclaimer

The information presented in this document is for reference only. Yangzhou Yangjie Electronic Technology Co., Ltd. reserves the right to make changes without notice for the specification of the products displayed herein to improve reliability, function or design or otherwise.

The product listed herein is designed to be used with ordinary electronic equipment or devices, and not designed to be used with equipment or devices which require high level of reliability and the malfunction of which would directly endanger human life (such as medical instruments, transportation equipment, aerospace machinery, nuclear-reactor controllers, fuel controllers and other safety devices), Yangjie or anyone on its behalf, assumes no responsibility or liability for any damages resulting from such improper use of sale.

This publication supersedes & replaces all information previously supplied. For additional information, please visit our website [http:// www.21yangjie.com](http://www.21yangjie.com) , or consult your nearest Yangjie's sales office for further assistance.